

Elizabeth
Soph-E1T



Elizabeth Freestanding Tub

- SOPHSTONE composite stone with honed finish.
- Three readily available color options and seven other standard colors.
- Meticulously handcrafted.
- Natural, easy to clean surface with stain resistant qualities.
- Eco-sensitive with high recycled material content.

Pantone Color Matching Available

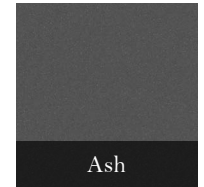
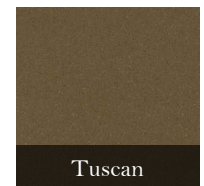
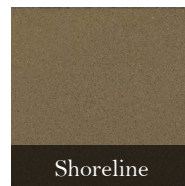
Integrated Overflow

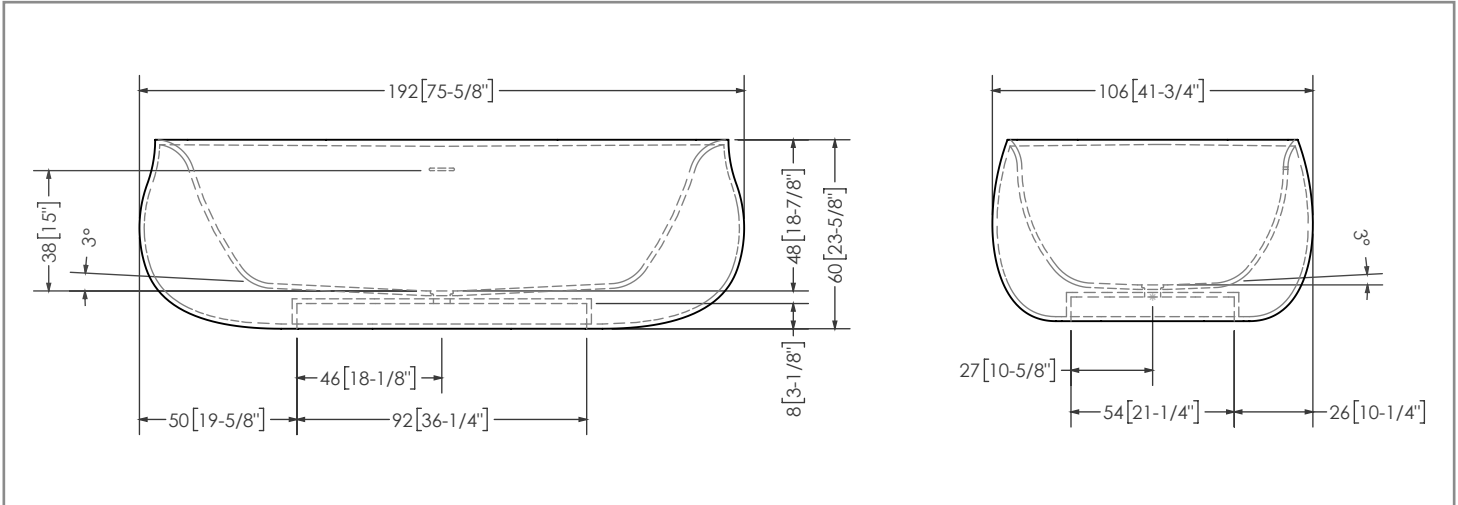
SOPHSTONE Chrome Drain Included

Standard Colors



Special Order





	WEIGHT	WATER
	1036 lbs 470 kg	83 gal 316 L
	WEIGHT	WATER
	340 lbs 154 kg	0 gal 0 L

Overall Dimensions

Length	-	192 [75-5/8"]
Width	-	106 [41-3/4"]
Height	-	60 [23-5/8"]

Weight (Tub + Water)

Empty	-	154 kg [340 lbs]
Filled	-	470 kg [1036 lbs]

Water (Capacity)

Maximum	-	316 L [83 US gal]
---------	---	-------------------

Faucet

Mount Type	-	Wall/Floor
------------	---	------------

Overflow

Design Type	-	Integrated, Slot Style
-------------	---	------------------------

Material

Material	-	Sophstone
Finish	-	Honed

Product Info

Part No.	-	Soph-E1T
----------	---	----------

Notes