

Slant  
SOPH-SC



Scoop Commercial Sink

- ADA Compliant
- IAPMO Certified
- Ten Standard Colors
- High Recycled Content
- Meticulously Handcrafted
- Smooth, Easy to Clean
- Honed Finish

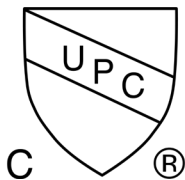
SOPHSTONE Commercial Division

SOPHSTONE Commercial Division has two distinct product offerings, BeSpoke and PreFab, to help support our customers unique needs and project requirements.

Bespoke

Our BeSpoke department is unrivaled in its ability to create custom commercial trough style countersinks that exceed the industry norm in size and color. Perfect for larger projects that may have a little extra time to design exactly what is required of the space. BeSpoke has a lead time of 8+ weeks depending on the size and scope of the project.

IAPMO Certified

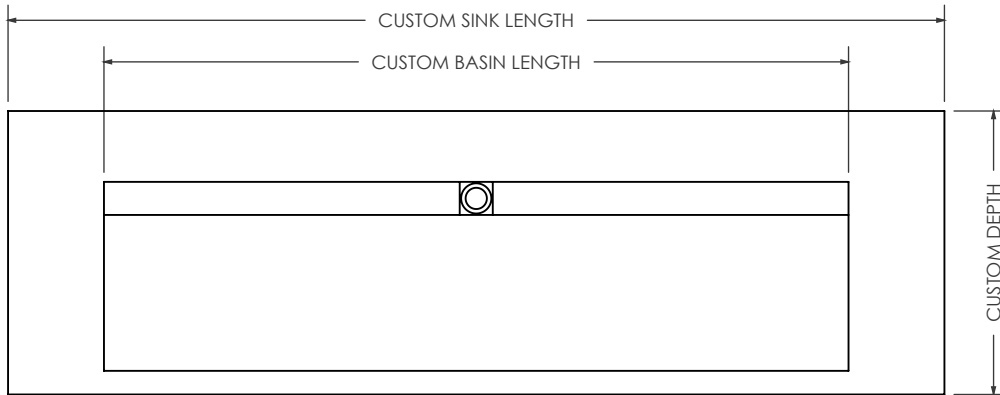
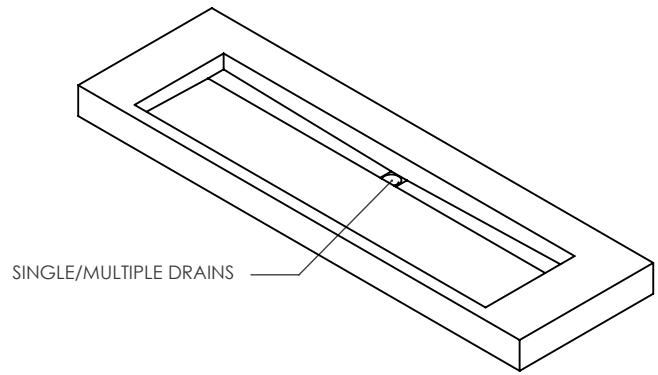


Stock Colors



# Bespoke

COMPLETE DESIGN FLEXIBILITY



Plumbing Cover Compatible  
 Sold Separately\*

Dimensions subject to change with or without notice | Questions? Call 1.844.539.1801 for more info.

Product Info:

Custom Slant Sink  
 SOPH-SC-CUS

Customization:

- Dimensions
- Sink Length
- Sink Width
- Sink Height
- Sink Shape
- Basin Length
- Trash Holes
- Countertop Length
- Deck Width

Faucet/Drain

- # of Faucets
- # of Drains
- Integrated Overflow

Aesthetics

- All Colors + Color Matching
- Material Style

## Bespoke Scoop Commercial Sink

SOPHSTONE commercial division designs Bespoke products to assist designers, architects, project managers, specifiers, developers, and consultants with their commercial sink and composite stone requirements. Every BeSpoke sink is a one of kind creation forged through a close communication with SOPHSTONE's team of engineers to bring your vision to life.

Our BeSpoke sinks offer superior design flexibility and customizability to fit any need including an unprecedented continuous, seamless, sink length maximum of 610cm (20ft). Large scale and specialized projects are encouraged.

Pantone color matching available.

For more information on how to create your SOPHSTONE BeSpoke commercial sink, call us at 1.844.539.1801 or email us at [Projects@sophstone.com](mailto:Projects@sophstone.com)