

Slant
SOPH-ST



Slant Commercial Sink

- ADA Compliant
- IAPMO Certified
- Three Stocked Colors
- Ten Standard Colors
- High Recycled Content
- Meticulously Handcrafted
- Smooth, Easy to Clean
- Honed Finish

SOPHSTONE Commercial Division

SOPHSTONE Commercial Division has two distinct product offerings, BeSpoke and PreFab, to help support our customers unique needs and project requirements.

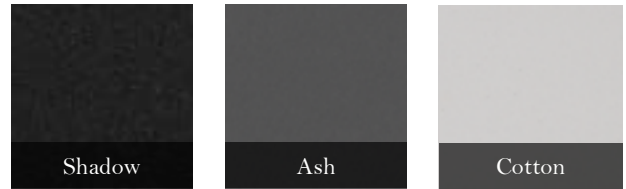
Bespoke

Our BeSpoke department is unrivaled in its ability to create custom commercial trough style countersinks that exceed the industry norm in size and color. Perfect for larger projects that may have a little extra time to design exactly what is required of the space. BeSpoke has a lead time of 8+ weeks depending on the size and scope of the project.

PreFab

SOPHSTONE PreFab is our ready to ship product line, available in 11 standard lengths (30"-144"). With PreFab, faucet holes and length trimming can easily be accomplished in the field saving you time and money. Utilizing the same "high demand usage" quality we are known for, PreFab is a cost effective choice for those with shorter than expected project lead times.

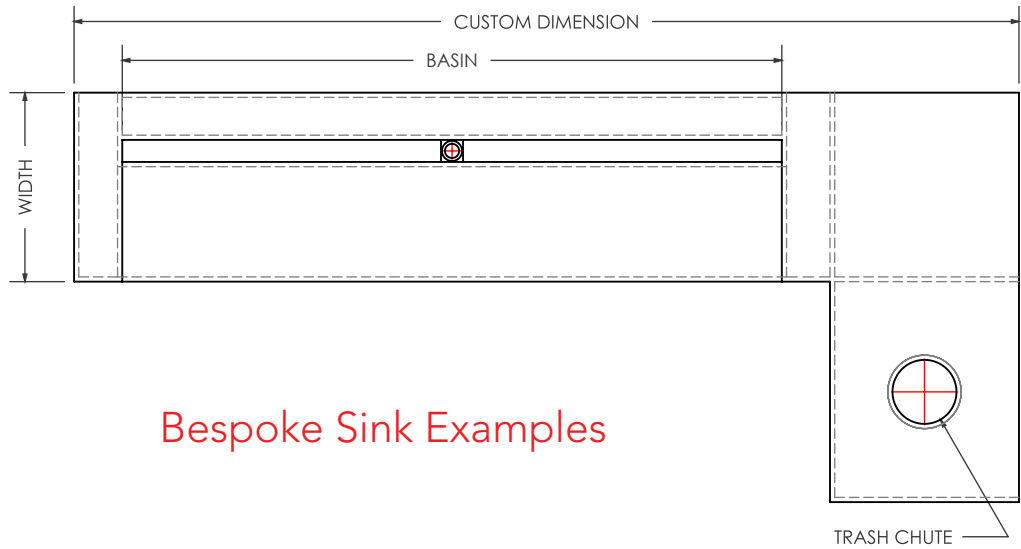
Stock Colors



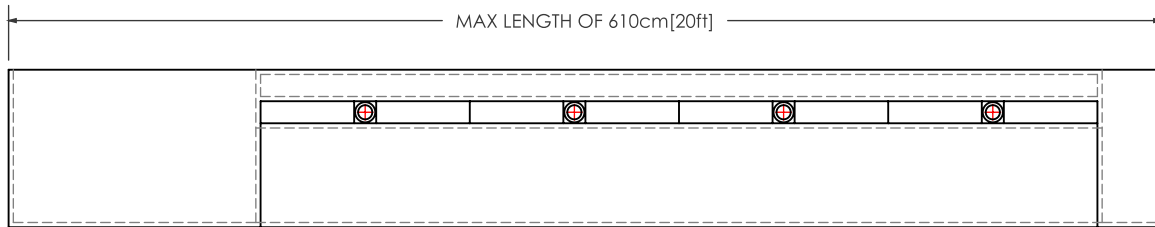
Standard Colors



Bespoke



Bespoke Sink Examples



Dimensions subject to change with or without notice | Questions? Call 1.844.539.1801 for more info.

Product Info:
 Custom Slant Sink
 SOPH-ST-CUS

Customization:
 Dimensions
 Sink Length
 Sink Width
 Sink Height
 Sink Shape
 Basin Length
 Countertop Length
 Deck Width

Faucet/Drain
 # of Faucets
 # of Drains
 Integrated Overflow

Aesthetics
 All Colors + Color Matching
 Material Style

Bespoke Slant Commercial Sink

SOPHSTONE commercial division designs Bespoke products to assist designers, architects, project managers, specifiers, developers, and consultants with their commercial sink and composite stone requirements. Every BeSpoke sink is a one of kind creation forged through a close communication with SOPHSTONE's team of engineers to bring your vision to life.

Our BeSpoke sinks offer superior design flexibility and customizability to fit any need including an unprecedented continuous, seamless, sink length maximum of 610cm (20ft). Large scale and specialized projects are encouraged.

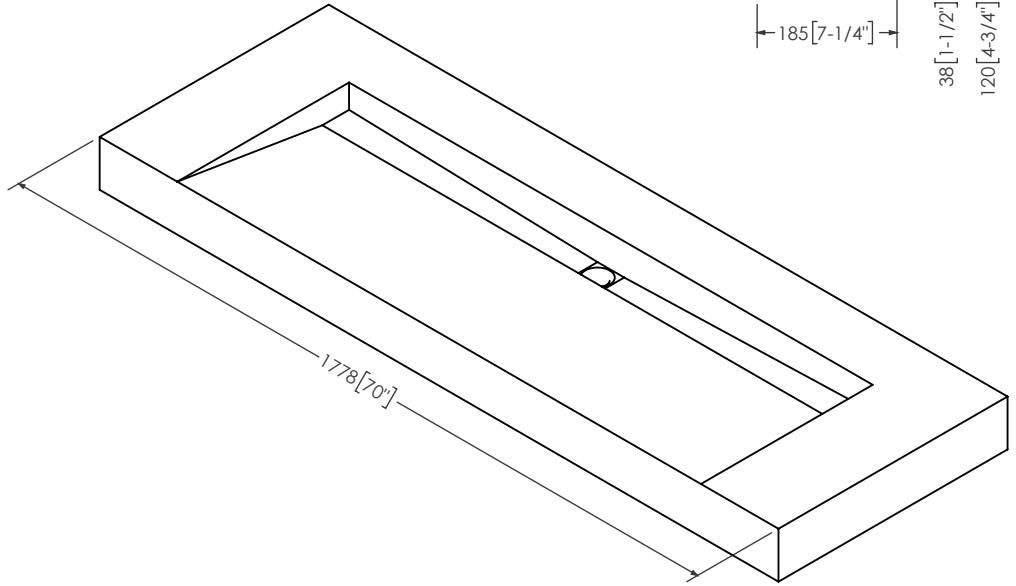
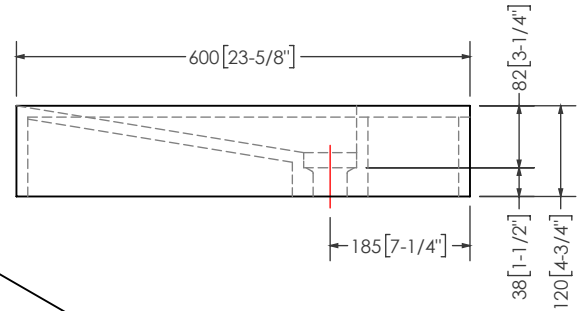
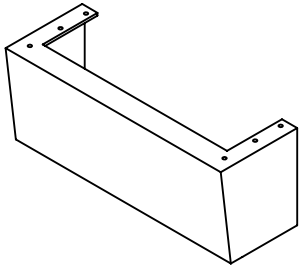
Pantone color matching available.

For more information on how to create your SOPHSTONE BeSpoke commercial sink, call us at 1.844.539.1801 or email us at Projects@sophstone.com

PreFab

Plumbing Cover Compatible

Sold Separately*



Dimensions subject to change with or without notice | Questions? Call 1.844.539.1801 for more info.

Product Info:

SOPHSTONE Slant Commercial Sink
SOPH-ST

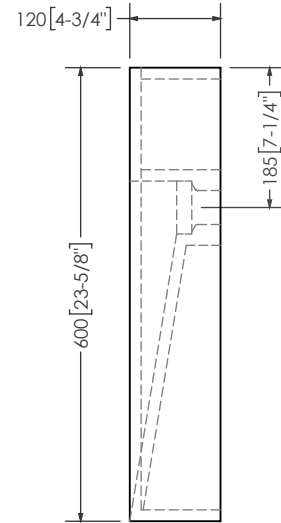
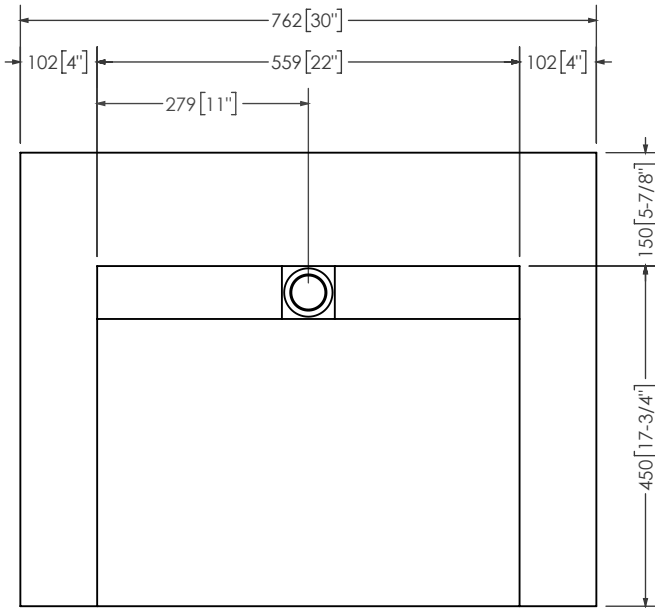
- ADA Compliant
- SOPHSTONE composite stone with honed finish.
- Three readily available color options.
- Meticulously handcrafted.
- Smooth, easy to clean surface with stain resistant qualities.
- Eco-sensitive with high recycled material content.

Model Catalogue

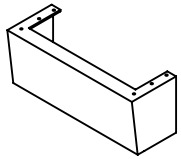
Model No.	Length	Basin	Drain Count	Page
SOPH-ST30	762[30"]	559[22"]	1	4
SOPH-ST48	1219[48"]	813 [32"]	1	5
SOPH-ST62	1574[62"]	1270[50"]	1	5
SOPH-ST70	1778[70"]	1372[54"]	1	6
SOPH-ST78	1982[78"]	1576[62"]	1	7
SOPH-ST86	2184[86"]	1778[70"]	1	8
SOPH-ST94	2388[94"]	1982[78"]	2	9
SOPH-ST102	2590[102"]	2184[86"]	2	10
SOPH-ST110	2794[110"]	2388[94"]	2	11
SOPH-ST126	3200[126"]	2794[110"]	2	12
SOPH-ST144	3658[144"]	3252[128"]	3	13

PreFab

SOPH-ST30

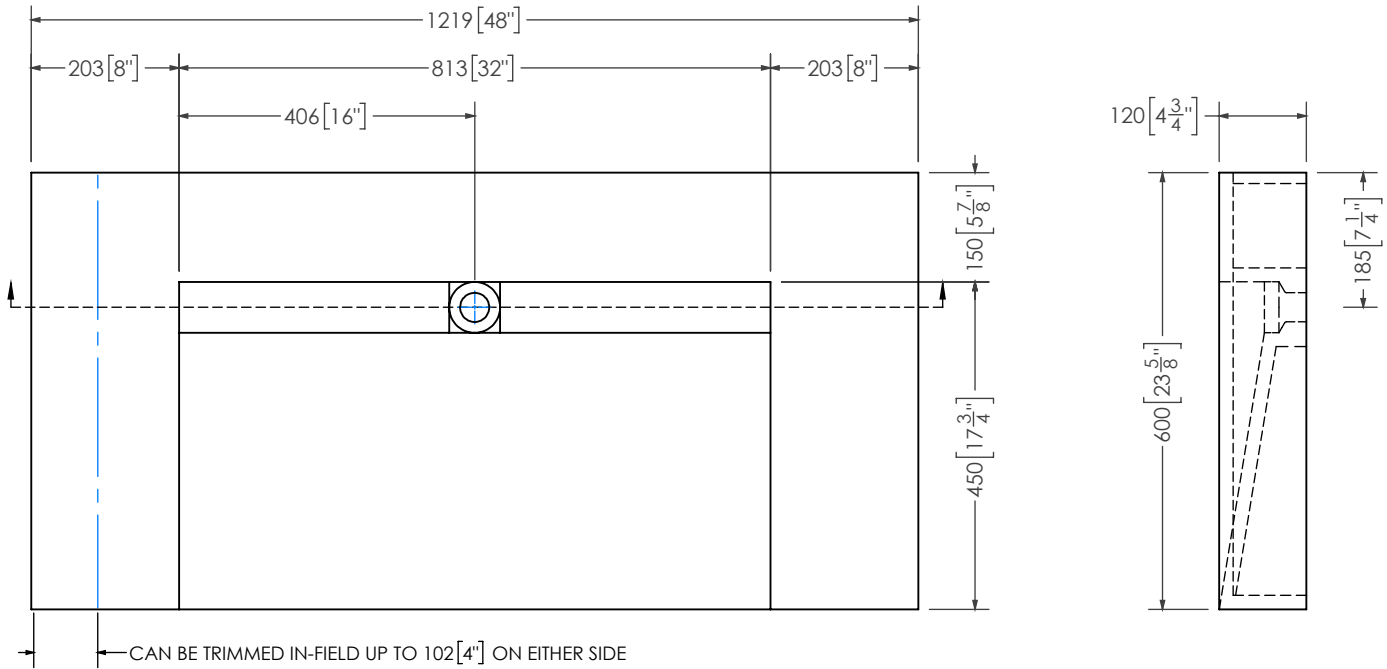


Dimensions subject to change with or without notice | Questions? Call 1.844.539.1801 for more info.

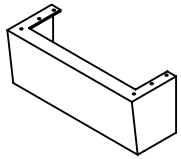
<p>Product Info: Part No. SOPH-ST30</p>	<div style="border: 1px solid black; padding: 5px; display: inline-block;"> <p>SOPH-ST30 PreFab Slant Commercial Sink</p> </div>	
<p>Overall Dimensions</p> <p>Length 762 [30"] Width 600 [23-58"] Height 120 [4-3/4"] Basin Length 559 [22"]</p> <p>Weight</p> <p>LBS & KG 51 lbs [23kg]</p> <p>Faucet/Drain</p> <p>Mount Type Wall/Deck # of Drains 1</p> <p>Material</p> <p>Color Ash, Cotton, Shadow Material Stone Composite Finish Honed</p>	<p>SOPHSTONE PreFab is our ready-to-ship product line, available in 8 standard lengths ranging between 30" and 144" (76cm - 366cm) that can be installed in a wide range of spaces.</p> <p>Our signature SOPHSTONE composite allows our PreFab sinks to be modified with ease in the field. Faucet holes can be drilled and sink lengths can be trimmed on site, saving time and money.</p> <p><i>*Sophstone can provide sink trimming and hole drilling</i></p> <p>PreFab sinks adhere to our strict quality and durability standards that every SOPHSTONE product must endure while remaining a cost effective choice for those with shorter than expected project lead times.</p> <p><i>*Fees may apply</i></p>	<div style="border: 1px solid black; padding: 5px;"> <p>Plumbing Cover Compatible <i>Sold Separately*</i></p>  </div>

PreFab

SOPH-ST48

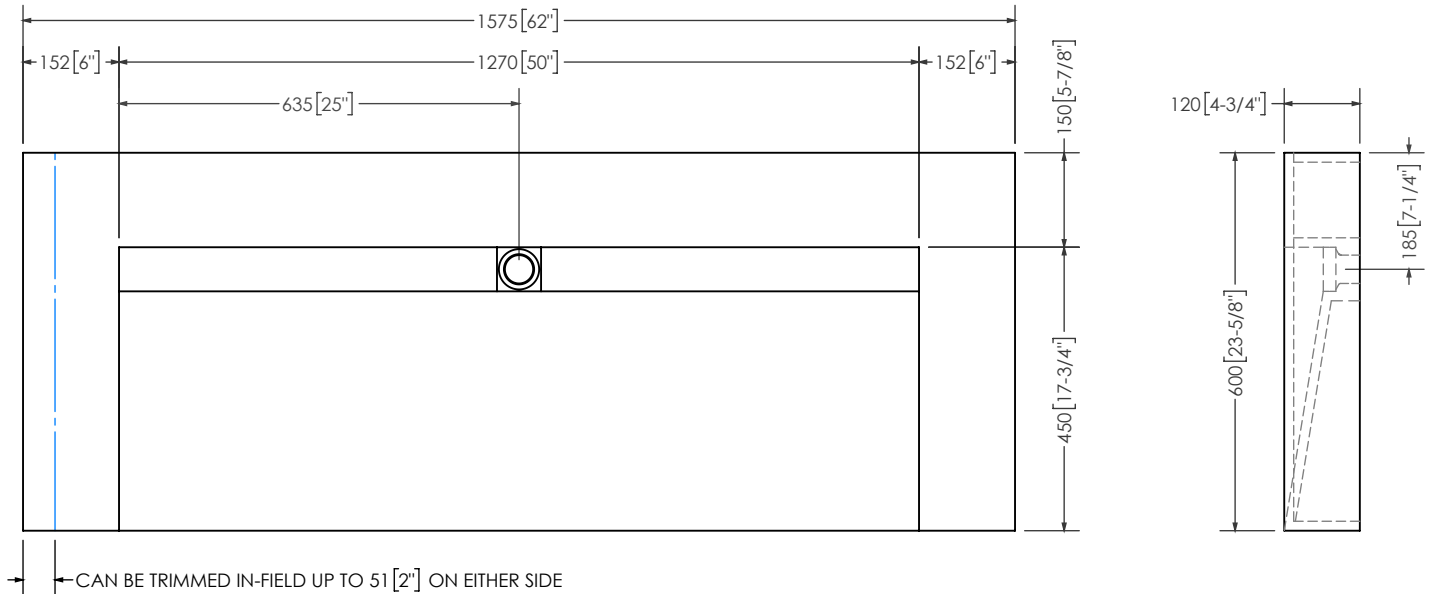


Dimensions subject to change with or without notice | Questions? Call 1.844.539.1801 for more info.

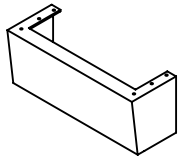
<p>Product Info: Part No. SOPH-ST48</p>	<div style="border: 1px solid black; padding: 5px; display: inline-block;"> <p>SOPH-ST48 PreFab Slant Commercial Sink</p> </div>	
<p>Overall Dimensions</p> <p>Length 1219[48"] Width 600[23-5/8"] Height 120[4-3/4"] Basin Length 813[32"]</p> <p>Weight</p> <p>LBS & KG 66 lbs [30kg]</p> <p>Faucet/Drain</p> <p>Mount Type Wall/Deck # of Drains 1</p> <p>Material</p> <p>Color Ash, Cotton, Shadow Material Stone Composite Finish Honed</p>	<p>SOPHSTONE PreFab is our ready-to-ship product line, available in 8 standard lengths ranging between 30" and 144" (76cm - 366cm) that can be installed in a wide range of spaces.</p> <p>Our signature SOPHSTONE composite allows our PreFab sinks to be modified with ease in the field. Faucet holes can be drilled and sink lengths can be trimmed on site, saving time and money.</p> <p><i>*Sophstone can provide sink trimming and hole drilling</i></p> <p>PreFab sinks adhere to our strict quality and durability standards that every SOPHSTONE product must endure while remaining a cost effective choice for those with shorter than expected project lead times.</p> <p><i>*Fees may apply</i></p>	<div style="border: 1px solid black; padding: 5px;"> <p>Plumbing Cover Compatible <i>Sold Separately*</i></p>  </div>

PreFab

SOPH-ST62

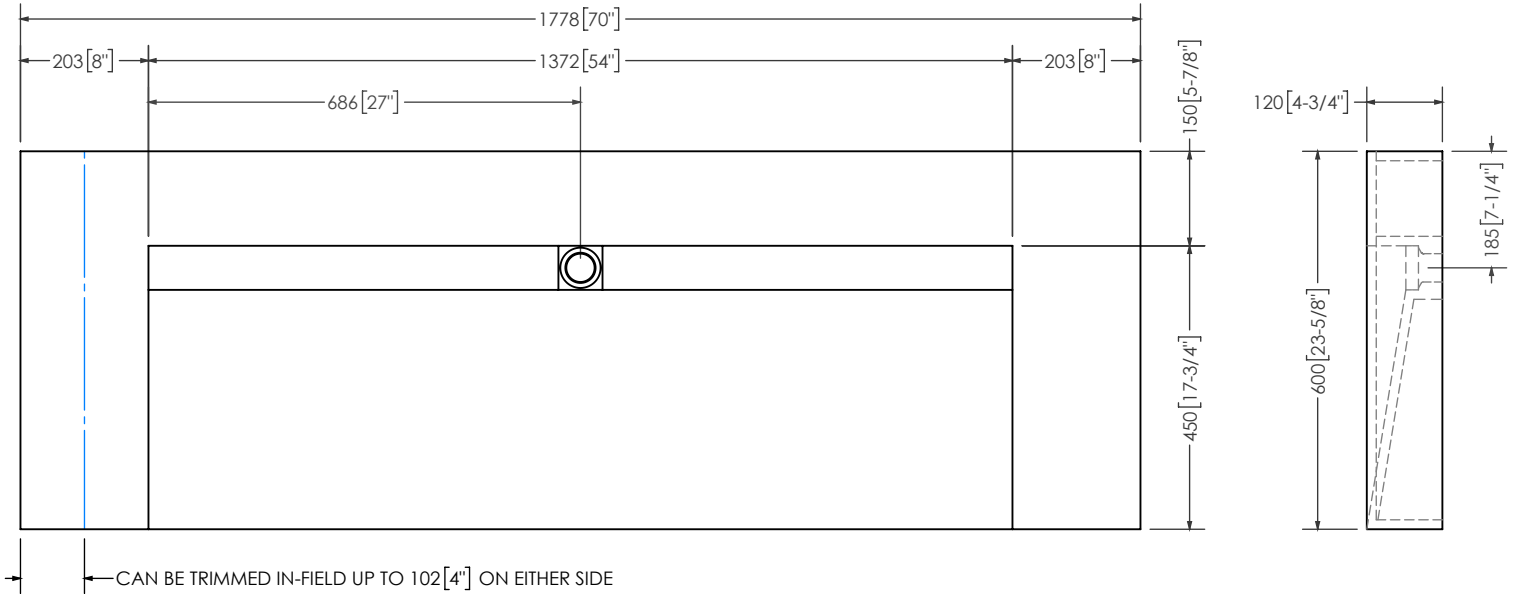


Dimensions subject to change with or without notice | Questions? Call 1.844.539.1801 for more info.

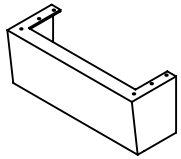
<p>Product Info: Part No. SOPH-ST62</p>	<div style="border: 1px solid black; padding: 5px; display: inline-block;"> <p>SOPH-ST62 PreFab Slant Commercial Sink</p> </div>	
<p>Overall Dimensions</p> <p>Length 1574 [62"] Width 600 [23-5/8"] Height 120 [4-3/4"] Basin Length 1270 [50"]</p> <p>Weight</p> <p>LBS & KG 95 lbs [43 kg]</p> <p>Faucet/Drain</p> <p>Mount Type Wall/Deck # of Drains 1</p> <p>Material</p> <p>Color Ash, Cotton, Shadow Material Stone Composite Finish Honed</p>	<p>SOPHSTONE PreFab is our ready-to-ship product line, available in 8 standard lengths ranging between 30" and 144" (76cm - 366cm) that can be installed in a wide range of spaces.</p> <p>Our signature SOPHSTONE composite allows our PreFab sinks to be modified with ease in the field. Faucet holes can be drilled and sink lengths can be trimmed on site, saving time and money.</p> <p><i>*Sophstone can provide sink trimming and hole drilling</i></p> <p>PreFab sinks adhere to our strict quality and durability standards that every SOPHSTONE product must endure while remaining a cost effective choice for those with shorter than expected project lead times.</p> <p><i>*Fees may apply</i></p>	<div style="border: 1px solid black; padding: 5px;"> <p>Plumbing Cover Compatible <i>Sold Separately*</i></p>  </div>

PreFab

SOPH-ST70

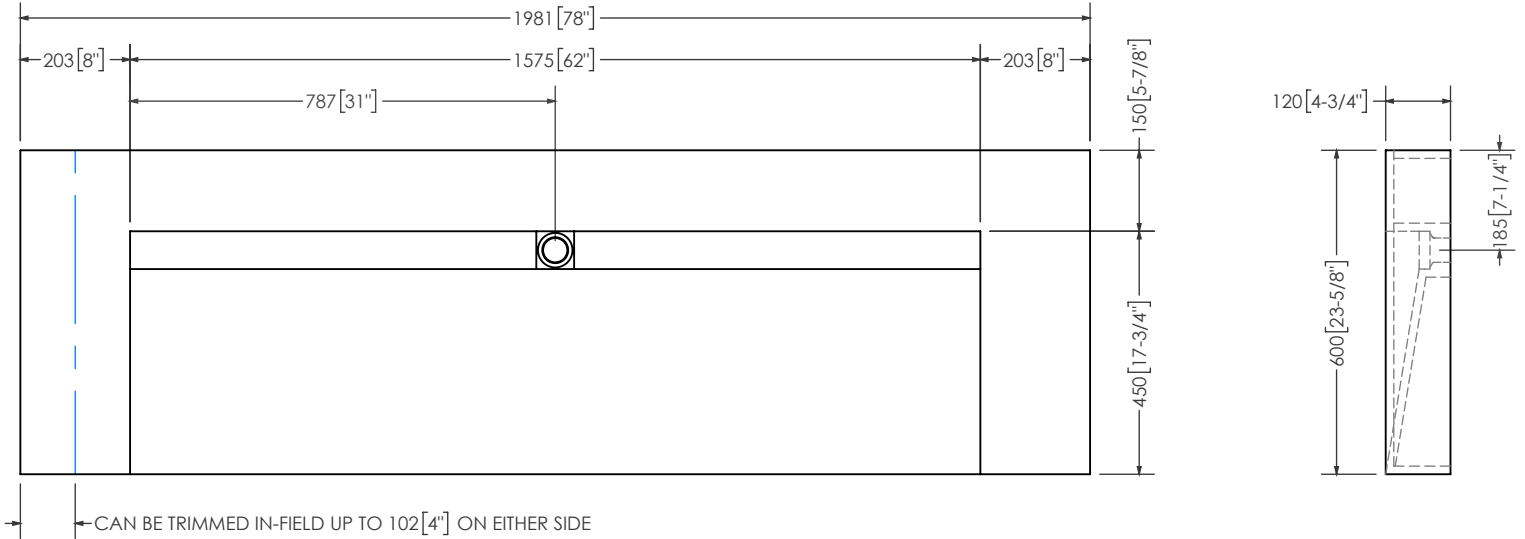


Dimensions subject to change with or without notice | Questions? Call 1.844.539.1801 for more info.

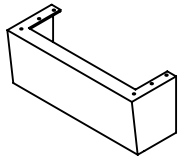
<p>Product Info: Part No. SOPH-ST70</p>	<div style="border: 1px solid black; padding: 5px; display: inline-block;"> <p>SOPH-ST70 PreFab Slant Commercial Sink</p> </div>	
<p>Overall Dimensions</p> <p>Length 1778 [70"] Width 600 [23-58"] Height 120 [4-3/4"] Basin Length 1372 [54"]</p> <p>Weight</p> <p>LBS & KG 106 lbs [48kg]</p> <p>Faucet/Drain</p> <p>Mount Type Wall/Deck # of Drains 1</p> <p>Material</p> <p>Color Ash, Cotton, Shadow Material Stone Composite Finish Honed</p>	<p>SOPHSTONE PreFab is our ready-to-ship product line, available in 8 standard lengths ranging between 30" and 144" (76cm - 366cm) that can be installed in a wide range of spaces.</p> <p>Our signature SOPHSTONE composite allows our PreFab sinks to be modified with ease in the field. Faucet holes can be drilled and sink lengths can be trimmed on site, saving time and money.</p> <p><i>*Sophstone can provide sink trimming and hole drilling</i></p> <p>PreFab sinks adhere to our strict quality and durability standards that every SOPHSTONE product must endure while remaining a cost effective choice for those with shorter than expected project lead times.</p> <p><i>*Fees may apply</i></p> <div style="border: 1px solid black; padding: 5px; display: inline-block; margin-bottom: 10px;"> <p>Plumbing Cover Compatible <i>Sold Separately*</i></p> </div> 	

PreFab

SOPH-ST78

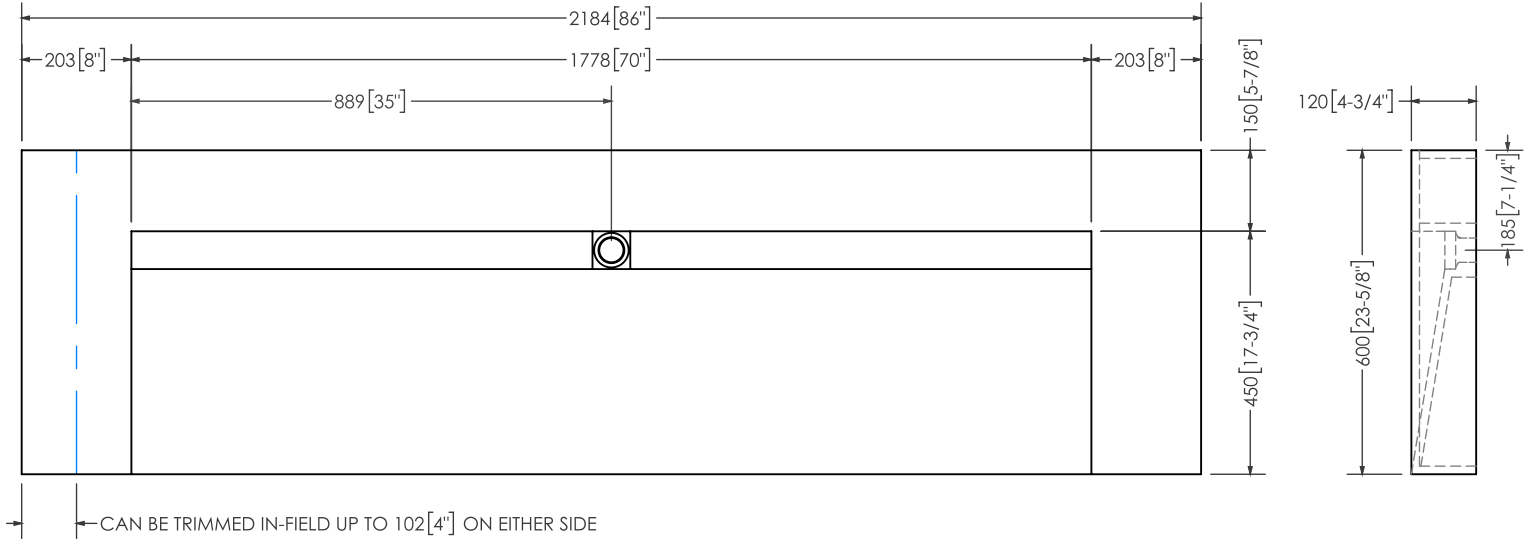


Dimensions subject to change with or without notice | Questions? Call 1.844.539.1801 for more info.

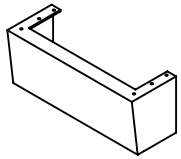
<p>Product Info: Part No. SOPH-ST78</p>	<div style="border: 1px solid black; padding: 5px; display: inline-block;"> <p>SOPH-ST78 PreFab Slant Commercial Sink</p> </div>	
<p>Overall Dimensions</p> <p>Length 1982 [78"] Width 600 [23-5/8"] Height 120 [4-3/4"] Basin Length 1576 [62"]</p> <p>Weight</p> <p>LBS & KG 117 lbs [53kg]</p> <p>Faucet/Drain</p> <p>Mount Type Wall/Deck # of Drains 1</p> <p>Material</p> <p>Color Ash, Cotton, Shadow Material Stone Composite Finish Honed</p>	<p>SOPHSTONE PreFab is our ready-to-ship product line, available in 8 standard lengths ranging between 30" and 144" (76cm - 366cm) that can be installed in a wide range of spaces.</p> <p>Our signature SOPHSTONE composite allows our PreFab sinks to be modified with ease in the field. Faucet holes can be drilled and sink lengths can be trimmed on site, saving time and money.</p> <p><i>*Sophstone can provide sink trimming and hole drilling</i></p> <p>PreFab sinks adhere to our strict quality and durability standards that every SOPHSTONE product must endure while remaining a cost effective choice for those with shorter than expected project lead times.</p> <p><i>*Fees may apply</i></p> <div style="border: 1px solid black; padding: 5px; display: inline-block; margin-bottom: 10px;"> <p>Plumbing Cover Compatible <i>Sold Separately*</i></p> </div> 	

PreFab

SOPH-ST86

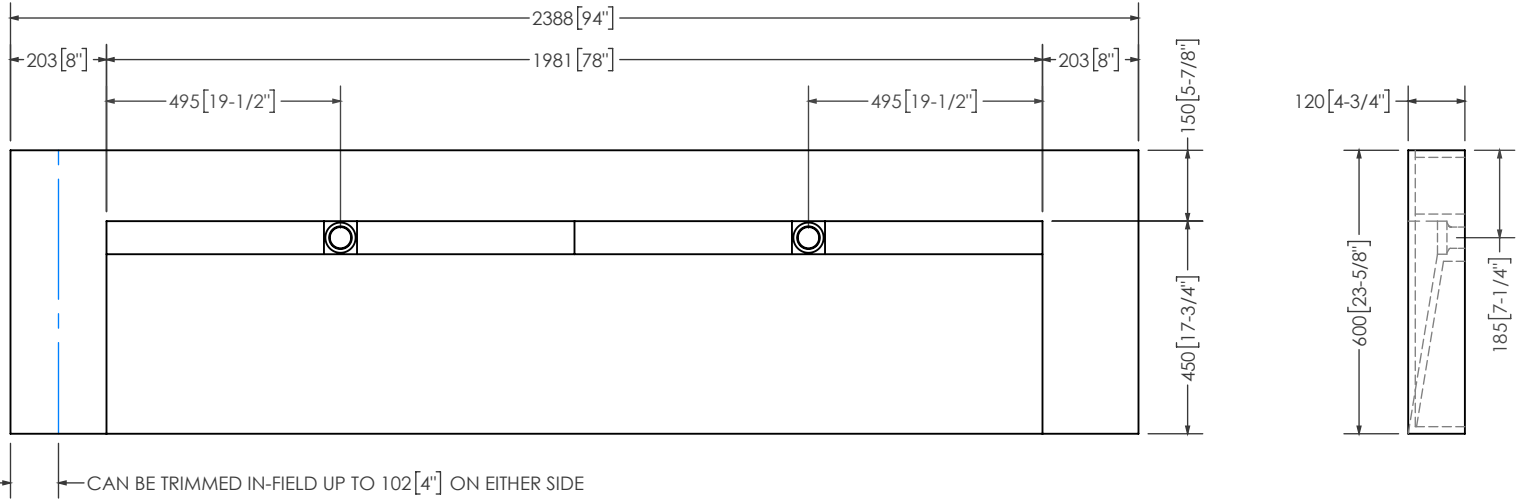


Dimensions subject to change with or without notice | Questions? Call 1.844.539.1801 for more info.

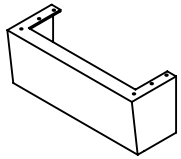
<p>Product Info: Part No. SOPH-ST86</p>	<div style="border: 1px solid black; padding: 5px; display: inline-block;"> <p>SOPH-ST86 PreFab Slant Commercial Sink</p> </div>	
<p>Overall Dimensions</p> <p>Length 2184 [86''] Width 600 [23-58''] Height 120 [4-3/4''] Basin Length 1778 [70'']</p> <p>Weight</p> <p>LBS & KG 128 lbs [58kg]</p> <p>Faucet/Drain</p> <p>Mount Type Wall/Deck # of Drains 1</p> <p>Material</p> <p>Color Ash, Cotton, Shadow Material Stone Composite Finish Honed</p>	<p>SOPHSTONE PreFab is our ready-to-ship product line, available in 8 standard lengths ranging between 30" and 144" (76cm - 366cm) that can be installed in a wide range of spaces.</p> <p>Our signature SOPHSTONE composite allows our PreFab sinks to be modified with ease in the field. Faucet holes can be drilled and sink lengths can be trimmed on site, saving time and money.</p> <p><i>*Sophstone can provide sink trimming and hole drilling</i></p> <p>PreFab sinks adhere to our strict quality and durability standards that every SOPHSTONE product must endure while remaining a cost effective choice for those with shorter than expected project lead times.</p> <p><i>*Fees may apply</i></p> <div style="border: 1px solid black; padding: 5px; display: inline-block; margin-bottom: 10px;"> <p>Plumbing Cover Compatible <i>Sold Separately*</i></p> </div> 	

PreFab

SOPH-ST94

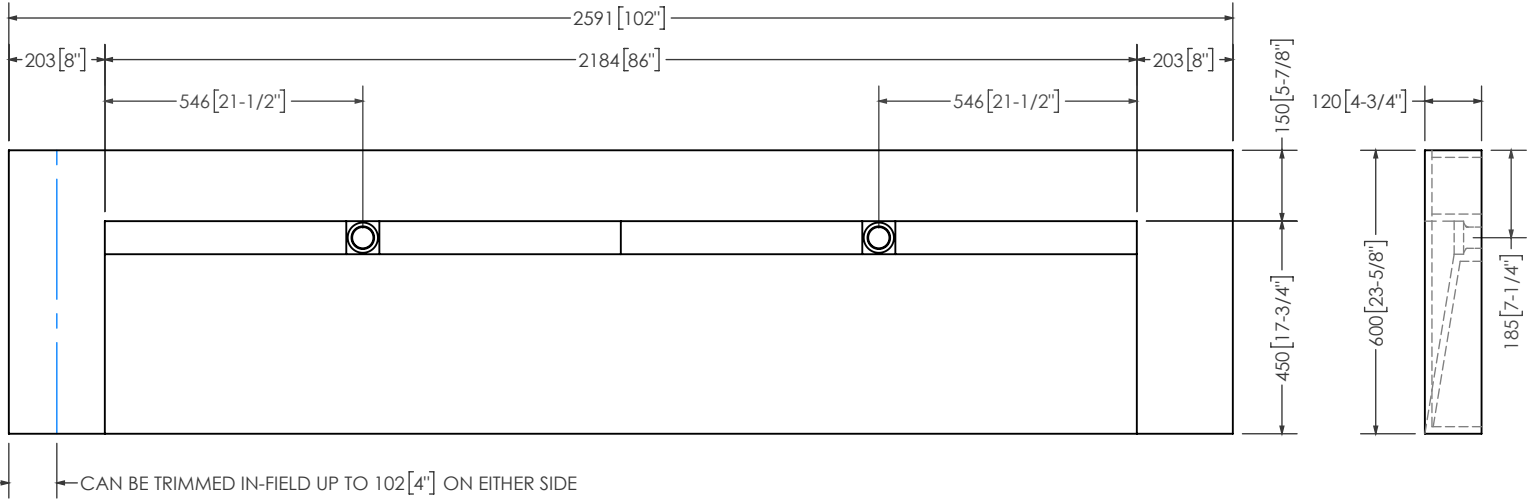


Dimensions subject to change with or without notice | Questions? Call 1.844.539.1801 for more info.

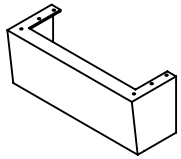
<p>Product Info: Part No. SOPH-ST94</p>	<div style="border: 1px solid black; padding: 5px; display: inline-block;"> <p>SOPH-ST94 PreFab Slant Commercial Sink</p> </div>
<p>Overall Dimensions</p> <p>Length 2388 [94"] Width 600 [23-5/8"] Height 120 [4-3/4"] Basin Length 1982 [78"]</p> <p>Weight</p> <p>LBS & KG 141 lbs [64kg]</p> <p>Faucet/Drain</p> <p>Mount Type Wall/Deck # of Drains 2</p> <p>Material</p> <p>Color Ash, Cotton, Shadow Material Stone Composite Finish Honed</p>	<p>SOPHSTONE PreFab is our ready-to-ship product line, available in 8 standard lengths ranging between 30" and 144" (76cm - 366cm) that can be installed in a wide range of spaces.</p> <p>Our signature SOPHSTONE composite allows our PreFab sinks to be modified with ease in the field. Faucet holes can be drilled and sink lengths can be trimmed on site, saving time and money.</p> <p><i>*Sophstone can provide sink trimming and hole drilling</i></p> <p>PreFab sinks adhere to our strict quality and durability standards that every SOPHSTONE product must endure while remaining a cost effective choice for those with shorter than expected project lead times.</p> <p><i>*Fees may apply</i></p> <div style="border: 1px solid black; padding: 5px; display: inline-block; margin-bottom: 10px;"> <p>Plumbing Cover Compatible <i>Sold Separately*</i></p> </div> 

PreFab

SOPH-ST102

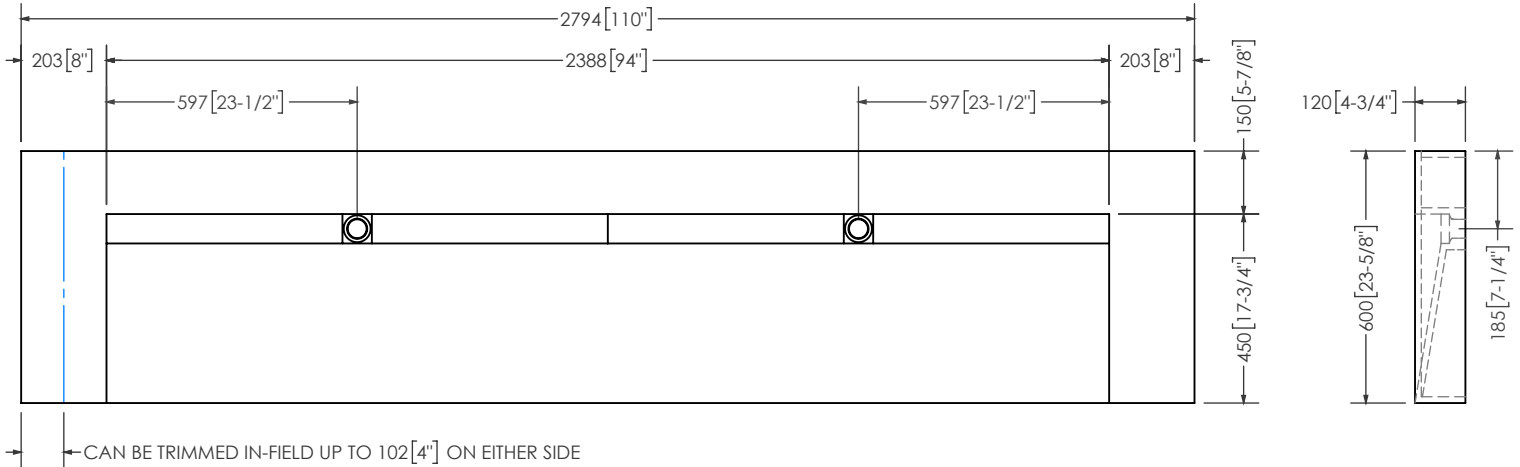


Dimensions subject to change with or without notice | Questions? Call 1.844.539.1801 for more info.

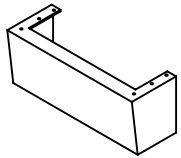
<p>Product Info: Part No. SOPH-ST102</p>	<div style="border: 1px solid black; padding: 5px; display: inline-block;"> <p>SOPH-ST102 PreFab Slant Commercial Sink</p> </div>	
<p>Overall Dimensions</p> <p>Length 2590 [102"] Width 600 [23-58"] Height 120 [4-3/4"] Basin Length 2184 [86"]</p> <p>Weight</p> <p>LBS & KG 152 lbs [69kg]</p> <p>Faucet/Drain</p> <p>Mount Type Wall/Deck # of Drains 2</p> <p>Material</p> <p>Color Ash, Cotton, Shadow Material Stone Composite Finish Honed</p>	<p>SOPHSTONE PreFab is our ready-to-ship product line, available in 8 standard lengths ranging between 30" and 144" (76cm - 366cm) that can be installed in a wide range of spaces.</p> <p>Our signature SOPHSTONE composite allows our PreFab sinks to be modified with ease in the field. Faucet holes can be drilled and sink lengths can be trimmed on site, saving time and money.</p> <p><i>*Sophstone can provide sink trimming and hole drilling</i></p> <p>PreFab sinks adhere to our strict quality and durability standards that every SOPHSTONE product must endure while remaining a cost effective choice for those with shorter than expected project lead times.</p> <p><i>*Fees may apply</i></p> <div style="border: 1px solid black; padding: 5px; display: inline-block; margin-bottom: 10px;"> <p>Plumbing Cover Compatible <i>Sold Separately*</i></p> </div> 	

PreFab

SOPH-ST110

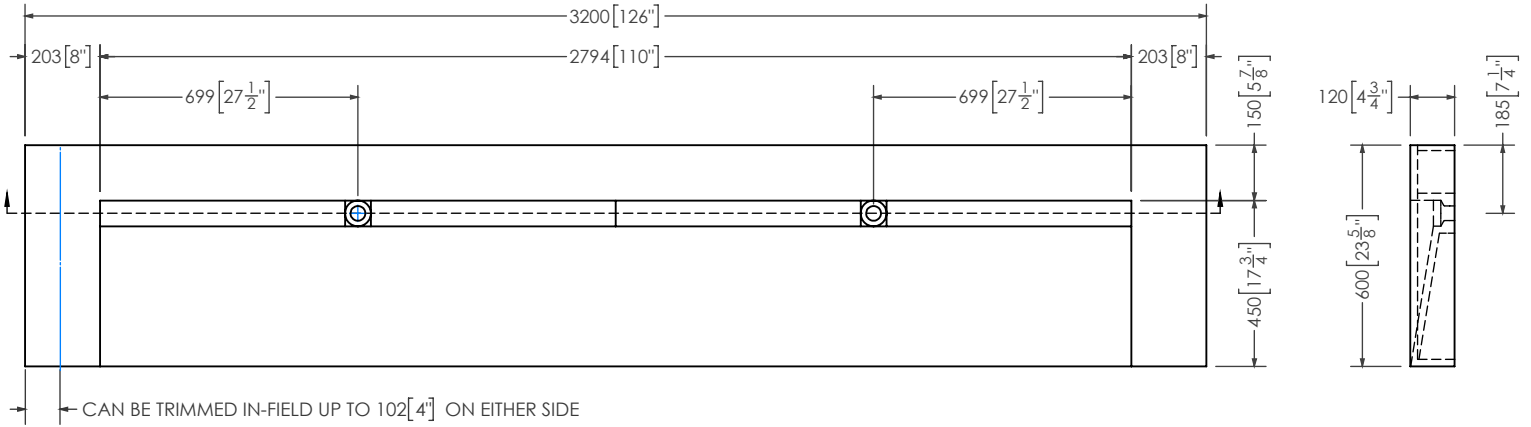


Dimensions subject to change with or without notice | Questions? Call 1.844.539.1801 for more info.

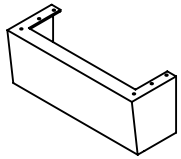
<p>Product Info: Part No. SOPH-ST110</p>	<div style="border: 1px solid black; padding: 5px; display: inline-block;"> <p>SOPH-ST110 PreFab Slant Commercial Sink</p> </div>	
<p>Overall Dimensions</p> <p>Length 2794 [110"] Width 600 [23-58"] Height 120 [4-3/4"] Basin Length 2388 [94"]</p> <p>Weight</p> <p>LBS & KG 163 lbs [74kg]</p> <p>Faucet/Drain</p> <p>Mount Type Wall/Deck # of Drains 2</p> <p>Material</p> <p>Color Ash, Cotton, Shadow Material Stone Composite Finish Honed</p>	<p>SOPHSTONE PreFab is our ready-to-ship product line, available in 8 standard lengths ranging between 30" and 144" (76cm - 366cm) that can be installed in a wide range of spaces.</p> <p>Our signature SOPHSTONE composite allows our PreFab sinks to be modified with ease in the field. Faucet holes can be drilled and sink lengths can be trimmed on site, saving time and money.</p> <p><i>*Sophstone can provide sink trimming and hole drilling</i></p> <p>PreFab sinks adhere to our strict quality and durability standards that every SOPHSTONE product must endure while remaining a cost effective choice for those with shorter than expected project lead times.</p> <p><i>*Fees may apply</i></p> <div style="border: 1px solid black; padding: 5px; display: inline-block; margin-bottom: 10px;"> <p>Plumbing Cover Compatible <i>Sold Separately*</i></p> </div> 	

PreFab

SOPH-ST126

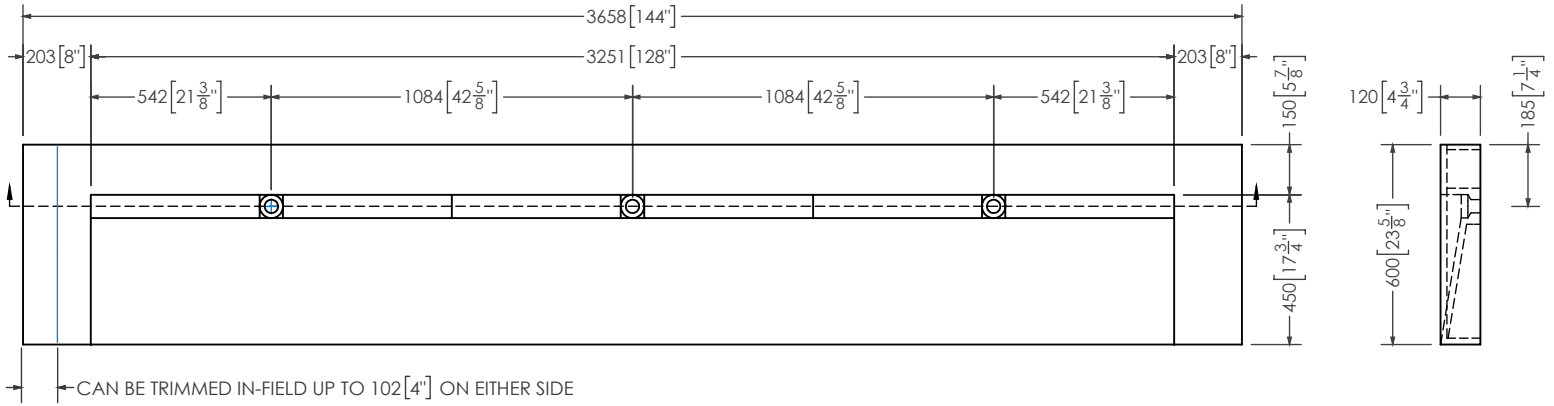


Dimensions subject to change with or without notice | Questions? Call 1.844.539.1801 for more info.

<p>Product Info: Part No. SOPH-ST126</p>	<div style="border: 1px solid black; padding: 5px; display: inline-block;"> <p>SOPH-ST126 PreFab Slant Commercial Sink</p> </div>	
<p>Overall Dimensions</p> <p>Length 3200 [126"] Width 600 [23-58"] Height 120 [4-3/4"] Basin Length 2794 [110"]</p> <p>Weight</p> <p>LBS & KG 231 lbs [105kg]</p> <p>Faucet/Drain</p> <p>Mount Type Wall/Deck # of Drains 2</p> <p>Material</p> <p>Color Ash, Cotton, Shadow Material Stone Composite Finish Honed</p>	<p>SOPHSTONE PreFab is our ready-to-ship product line, available in 8 standard lengths ranging between 30" and 144" (76cm - 366cm) that can be installed in a wide range of spaces.</p> <p>Our signature SOPHSTONE composite allows our PreFab sinks to be modified with ease in the field. Faucet holes can be drilled and sink lengths can be trimmed on site, saving time and money.</p> <p><i>*Sophstone can provide sink trimming and hole drilling</i></p> <p>PreFab sinks adhere to our strict quality and durability standards that every SOPHSTONE product must endure while remaining a cost effective choice for those with shorter than expected project lead times.</p> <p><i>*Fees may apply</i></p> <div style="border: 1px solid black; padding: 5px; display: inline-block; margin-bottom: 10px;"> <p>Plumbing Cover Compatible <i>Sold Separately*</i></p> </div> 	

PreFab

SOPH-ST144



Dimensions subject to change with or without notice | Questions? Call 1.844.539.1801 for more info.

<p>Product Info: Part No. SOPH-ST144</p>	<div style="border: 1px solid black; padding: 5px; display: inline-block;"> <p>SOPH-ST144 PreFab Slant Commercial Sink</p> </div>	
<p>Overall Dimensions</p> <p>Length 3658 [144"] Width 600 [23-58"] Height 120 [4-3/4"] Basin Length 3251 [128"]</p> <p>Weight</p> <p>LBS & KG 267 lbs [121kg]</p> <p>Faucet/Drain</p> <p>Mount Type Wall/Deck # of Drains 3</p> <p>Material</p> <p>Color Ash, Cotton, Shadow Material Stone Composite Finish Honed</p>	<p>SOPHSTONE PreFab is our ready-to-ship product line, available in 8 standard lengths ranging between 30" and 144" (76cm - 366cm) that can be installed in a wide range of spaces.</p> <p>Our signature SOPHSTONE composite allows our PreFab sinks to be modified with ease in the field. Faucet holes can be drilled and sink lengths can be trimmed on site, saving time and money.</p> <p><i>*Sophstone can provide sink trimming and hole drilling</i></p> <p>PreFab sinks adhere to our strict quality and durability standards that every SOPHSTONE product must endure while remaining a cost effective choice for those with shorter than expected project lead times.</p> <p><i>*Fees may apply</i></p> <div style="border: 1px solid black; padding: 5px; display: inline-block; margin-bottom: 10px;"> <p>Plumbing Cover Compatible <i>Sold Separately*</i></p> </div> 