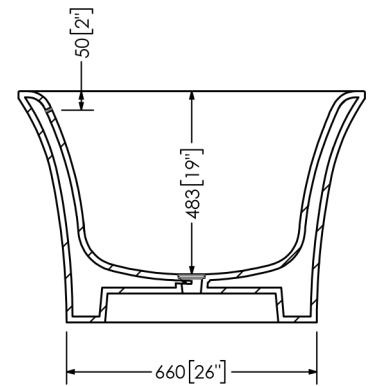
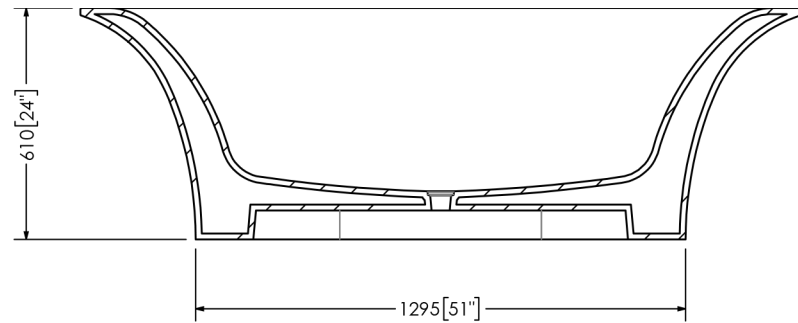
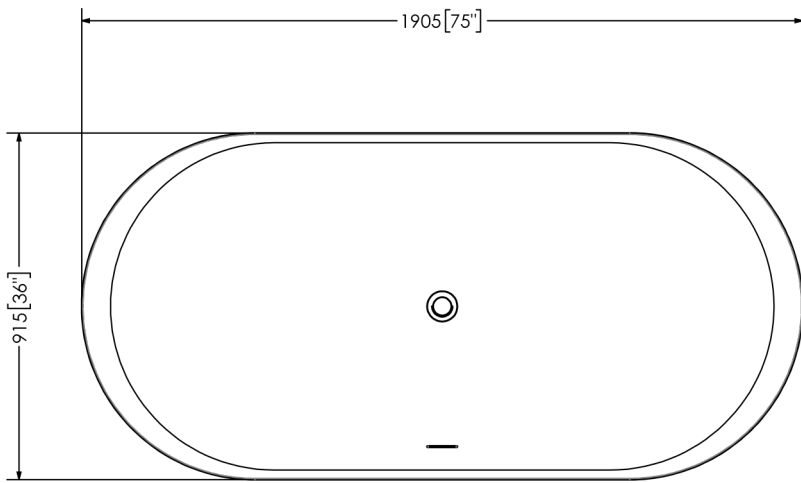
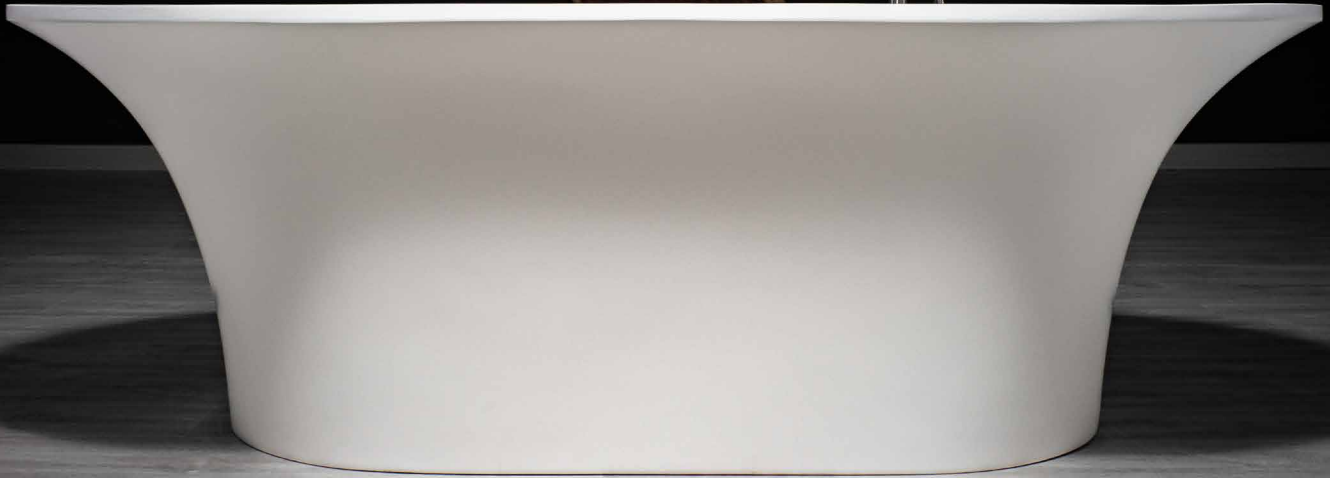




Ahri

SOPH-A1T FreeStanding Bathtub



SPECIFICATIONS

Material:	Mineral Glass Composite
Finish:	Satin Hand Finished
Dimension:	1905mm x 915mm x 610mm
Weight:	133 kg (294 lbs)
Weight with water:	403 kg (888 lbs)
Depth to Overflow:	433 mm
Water Capacity:	270 L (71 GL)
Available Options:	Colour Dua Pantone Matching