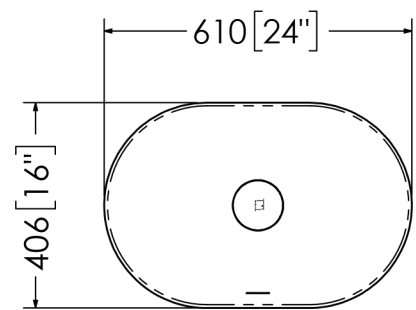
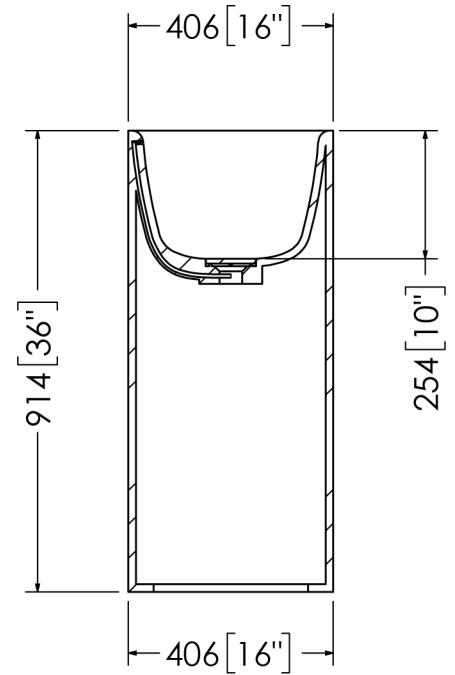
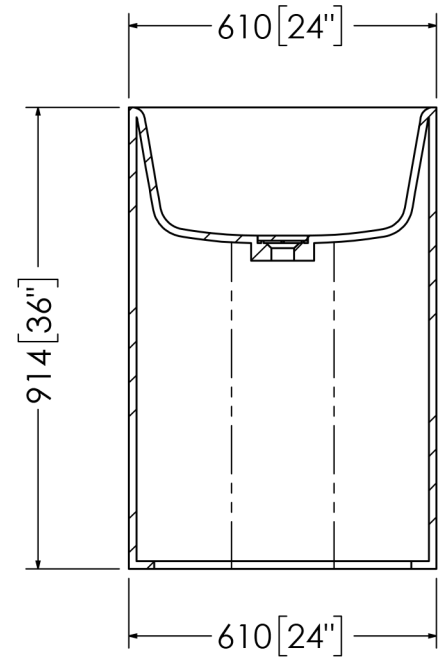




Christoph

SOPH-C1FB
FreeStanding Basin



SPECIFICATIONS

Material: Mineral Glass Composite
 Finish: Satin Hand Finished
 Dimension: 610mm x 406mm x 914mm
 Weight: 30 kg (68 lbs)
 Drain Opening: Obscure Cover
 Available Options: Colour Dua
 Pantone Matching

- * Obscure Cover requires a standard drop-in drain.
- * Standard bottom cutout for in-floor plumbing.
- * Optional rear cutout for in-wall plumbing.

SOPHSTONE INC.
www.sophstone.com

Americas
sales@sophstone.com
 Phone: 1.844.539.1801

Bali, Indonesia
asia.sales@sophstone.com
 WhatsApp: +62 819 4900 3573

