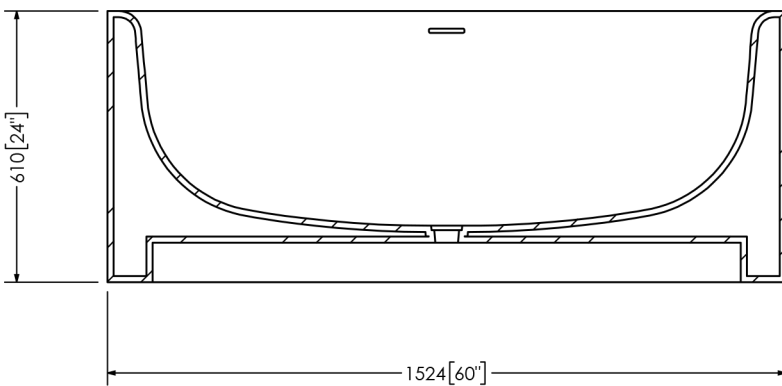
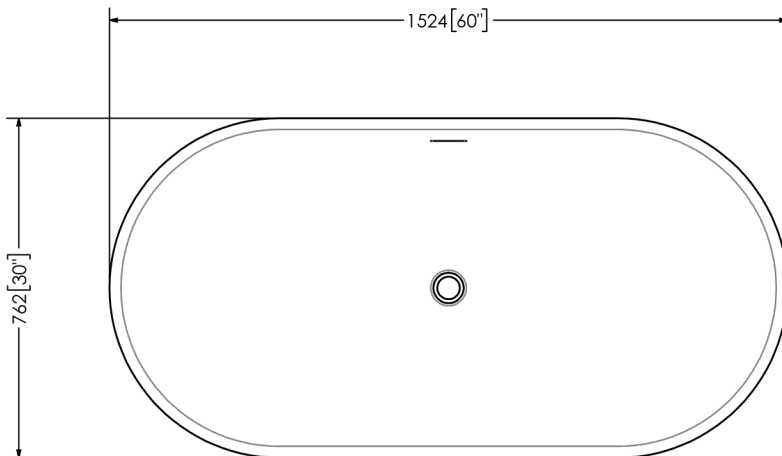




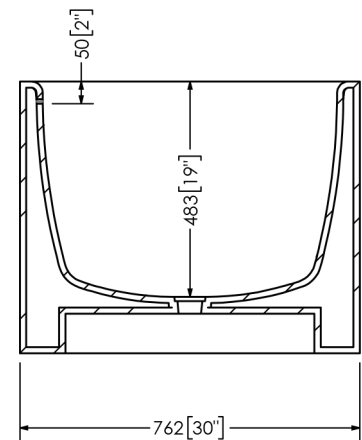
Christoph

SOPH-C1T
FreeStanding Bathtub



SPECIFICATIONS

Material:	Mineral Glass Composite
Finish:	Satin Hand Finished
Dimension:	1524mm x 762mm x 610mm
Weight:	118 kg (260 lbs)
Weight with water:	405 kg (892 lbs)
Depth to Overflow:	433 mm
Water Capacity:	287 L (76 GL)
Available Options:	Colour Dua Pantone Matching



SOPHSTONE INC.
www.sophstone.com

Americas
sales@sophstone.com
Phone: 1.844.539.1801

Bali, Indonesia
asia.sales@sophstone.com
WhatsApp: +62 819 4900 3573

