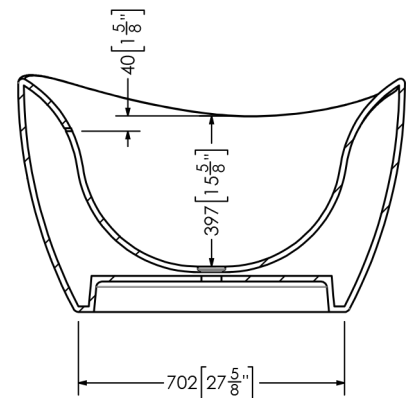
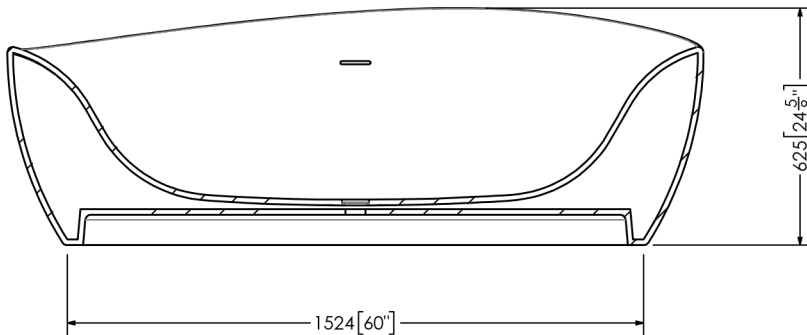
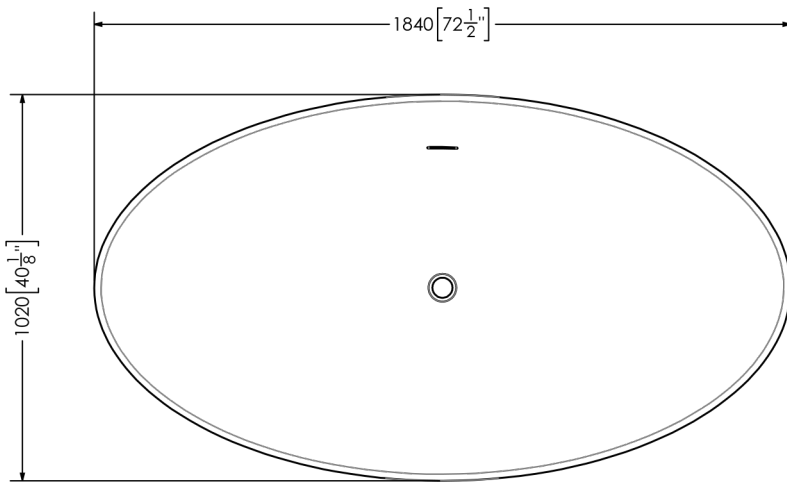




Marcela

SOPH-M3T
FreeStanding Bathtub



SPECIFICATIONS

Material:	Mineral Glass Composite
Finish:	Satin Hand Finished
Dimension:	1840mm x 1020mm x 625mm
Weight:	141 kg (310 lbs)
Weight with water:	353 kg (778 lbs)
Depth to Overflow:	357 mm
Water Capacity:	212 L (56 GL)
Available Options:	Colour Dua Pantone Matching

SOPHSTONE INC.
www.sophstone.com

Americas
sales@sophstone.com
Phone: 1.844.539.1801

Bali, Indonesia
asia.sales@sophstone.com
WhatsApp: +62 819 4900 3573

