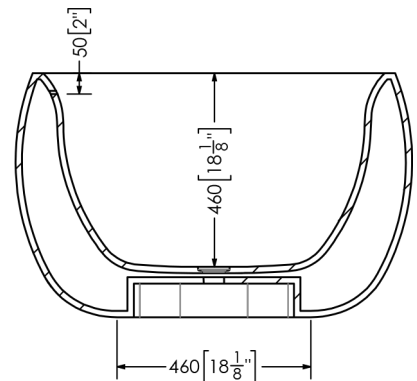
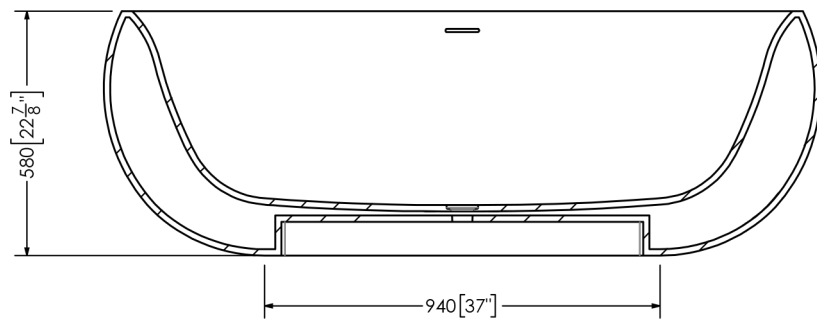
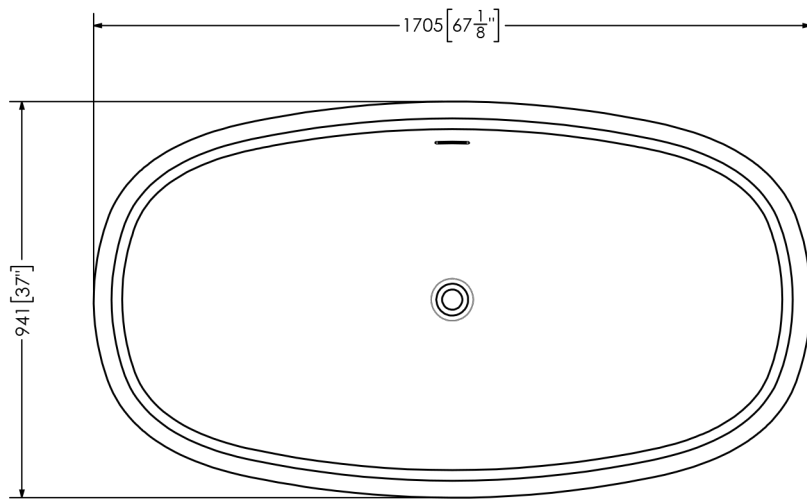




Mason

SOPH-M6T FreeStanding Bathtub



SPECIFICATIONS

Material:	Mineral Glass Composite
Finish:	Satin Hand Finished
Dimension:	1705mm x 941mm x 580mm
Weight:	132 kg (291 lbs)
Weight with water:	405kg (892 lbs)
Depth to Overflow:	410 mm
Water Capacity:	273 L (72 GL)
Available Options:	Colour Dua Pantone Matching