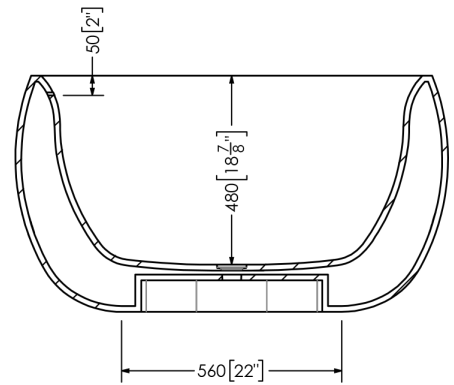
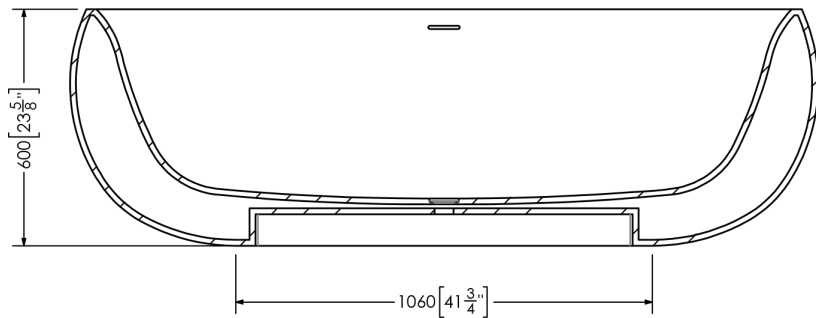
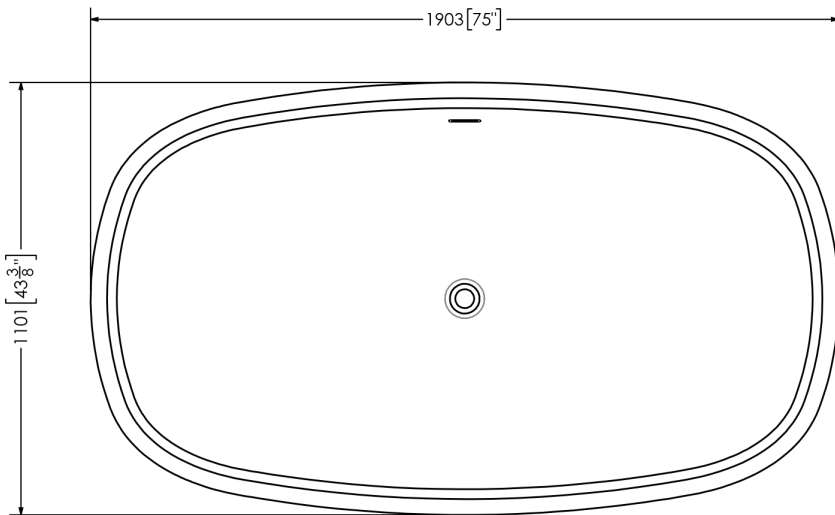




Mason

SOPH-M6TL (Large) FreeStanding Bathtub



SPECIFICATIONS

Material:	Mineral Glass Composite
Finish:	Satin Hand Finished
Dimension:	1903mm x 1101mm x 600mm
Weight:	166 kg (365 lbs)
Weight with water:	541kg (1,192 lbs)
Depth to Overflow:	430 mm
Water Capacity:	375 L (99 GL)
Available Options:	Colour Dua Pantone Matching