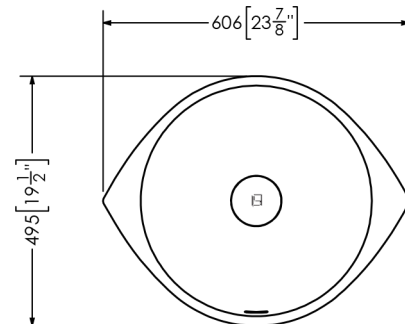
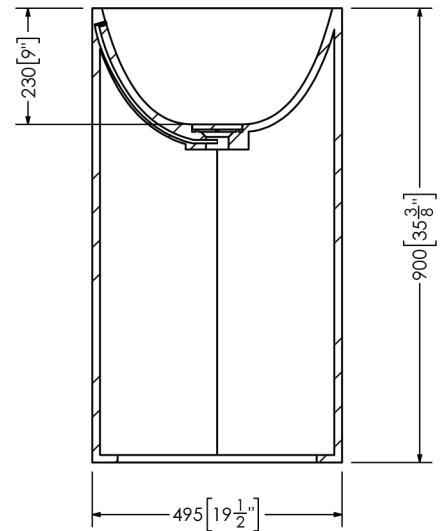
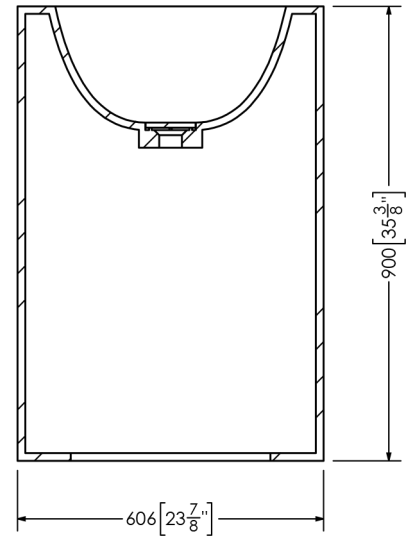




# Olivia

SOPH-O1FB FreeStanding Basin



## SPECIFICATIONS

Material: Mineral Glass Composite  
 Finish: Satin Hand Finished  
 Dimension: 606mm x 495mm x 900mm  
 Weight: 29 kg (64 lbs)  
 Drain Opening: Obscure Cover  
 Available Options: Colour Dua  
 Pantone Matching

- \* Obscure Cover requires a standard drop-in drain.
- \* Standard bottom cutout for in-floor plumbing.
- \* Optional rear cutout for in-wall plumbing.

**SOPHSTONE INC.**  
 www.sophstone.com

Americas  
 sales@sophstone.com  
 Phone: 1.844.539.1801

Bali, Indonesia  
 asia.sales@sophstone.com  
 WhatsApp: +62 819 4900 3573

