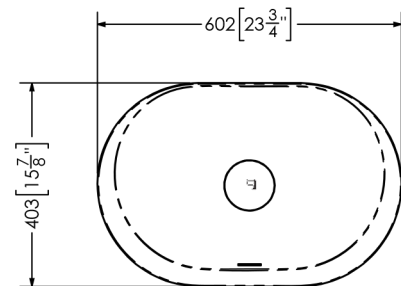
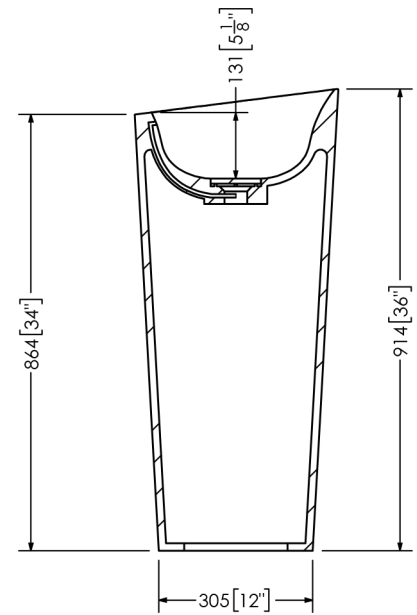
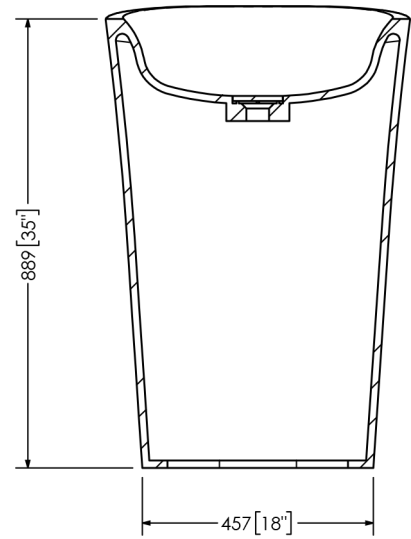




# Phoenix

SOPH-P1FB  
FreeStanding Basin



## SPECIFICATIONS

Material:	Mineral Glass Composite
Finish:	Satin Hand Finished
Dimension:	598mm x 401mm x 914mm
Weight:	25 kg (56 lbs)
Drain Opening:	Obscure Cover
Available Options:	Colour Dua Pantone Matching

- \* Obscure Cover requires a standard drop-in drain.
- \* Standard bottom cutout for in-floor plumbing.
- \* Optional rear cutout for in-wall plumbing.